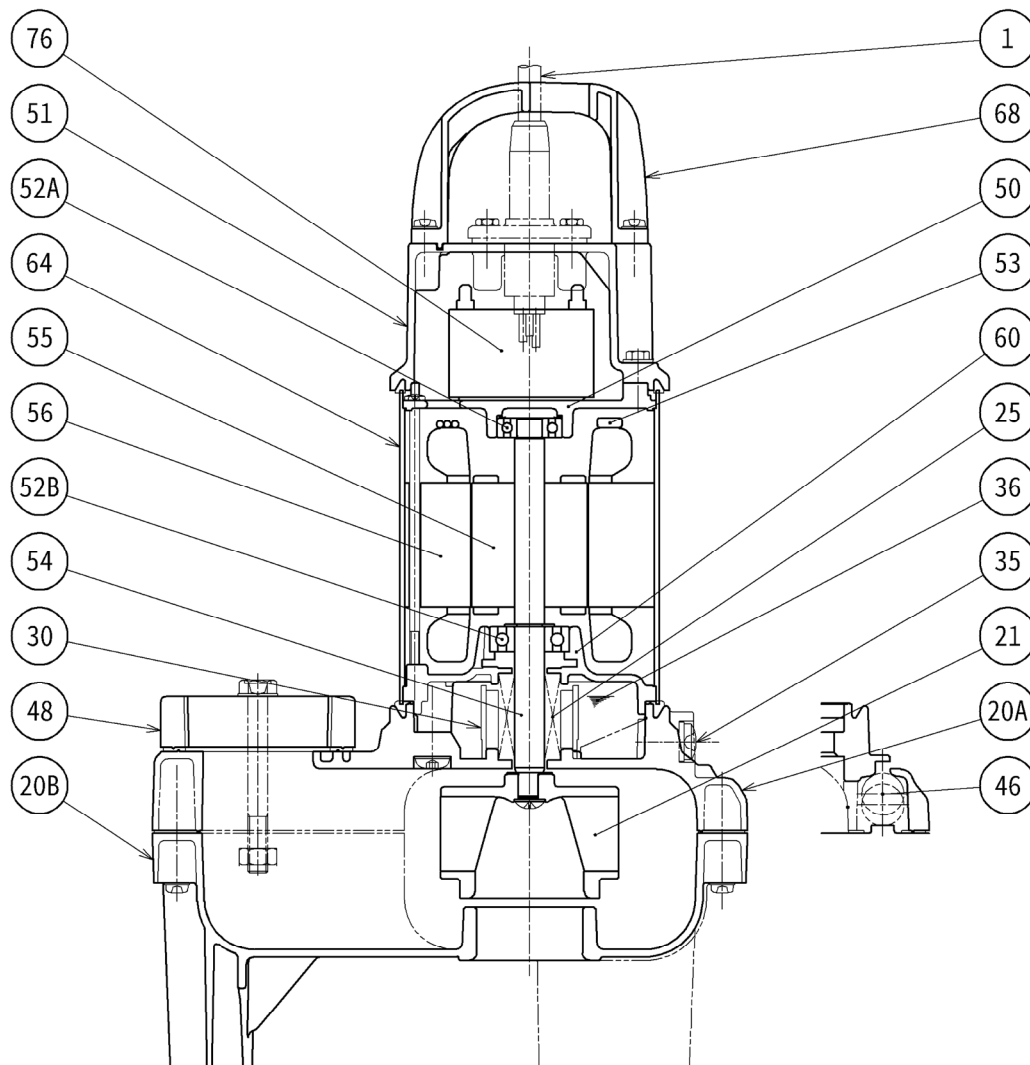


SECTIONAL DRAWING		No.	No. A-30197-16US
TYPE	Submersible Resin-made Wastewater Pump	MODEL	2-PN



REQ. SPECIFICATION		

No.	DESCRIPTION	Q'TY	MATERIAL / NOTE	No.	DESCRIPTION	Q'TY	MATERIAL / NOTE
1	Cabtyre Cable	1	PVC Sheath	52A	Upper Bearing	1	6000ZZC3
20A	Upper Pump Casing	1	Plastic W/GF	52B	Lower Bearing	1	6201ZZC3
20B	Lower Pump Casing	1	Plastic	53	Motor Protector	1	
21	Impeller	1	Plastic W/GF	54	Shaft	1	316 Stainless Steel
25	Mechanical Seal	1	D-12RC	55	Rotor	1	
30	Oil Lifter	1	Plastic	56	Stator	1	
35	Oil Plug	1	304 Stainless Steel	60	Bearing Housing	1	Aluminium Die Casting 12
36	Lubricant		Liquid Paraffin(ISO VG32)	64	Motor Frame	1	304 Stainless Steel
46	Air Release Valve	1	Glass Ball	68	Handle	1	Plastic
48	Screwed Flange	1	Plastic W/GF	76	Capacitor	1	
50	Motor Bracket	1	Aluminium Die Casting 12				
51	Head Cover	1	Plastic W/GF				